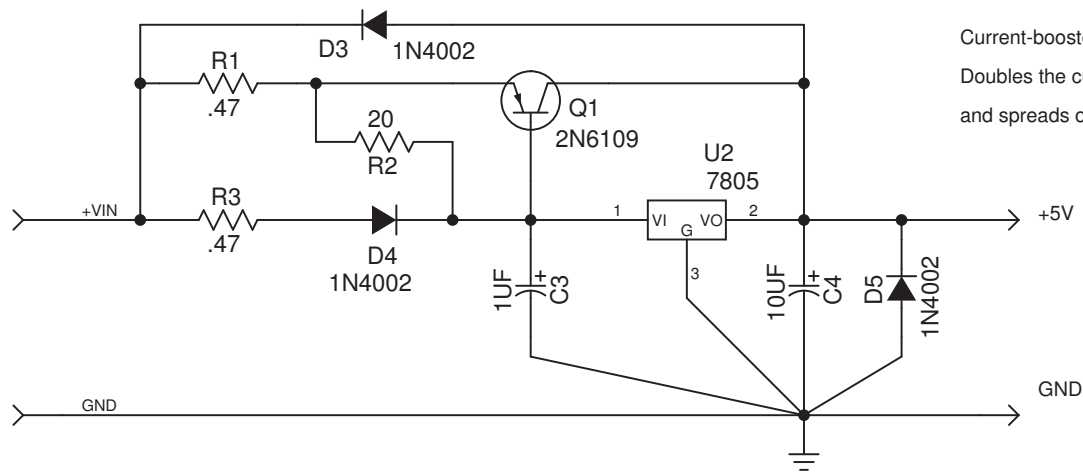


Normal 3-Terminal circuit



Current-boosted version.
Doubles the current output
and spreads out the heat.

<http://www.dibsplace.com/design/dcircats.html>

Title		Three Terminal Reg w/current boost	
DIBs Electronic Design			
Date	Wed Sep 26 2007	Drawn by	DIB
Filename	REG3P.S01	Sheet	1 of 2